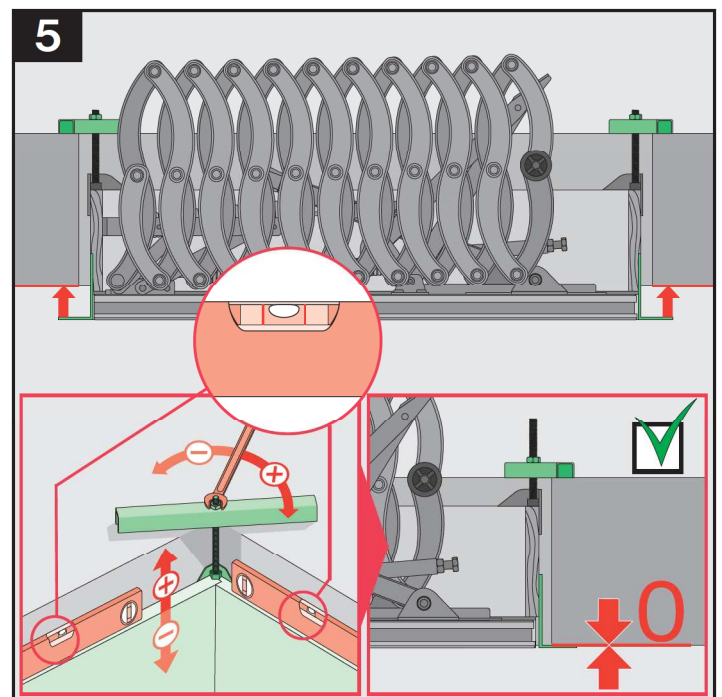
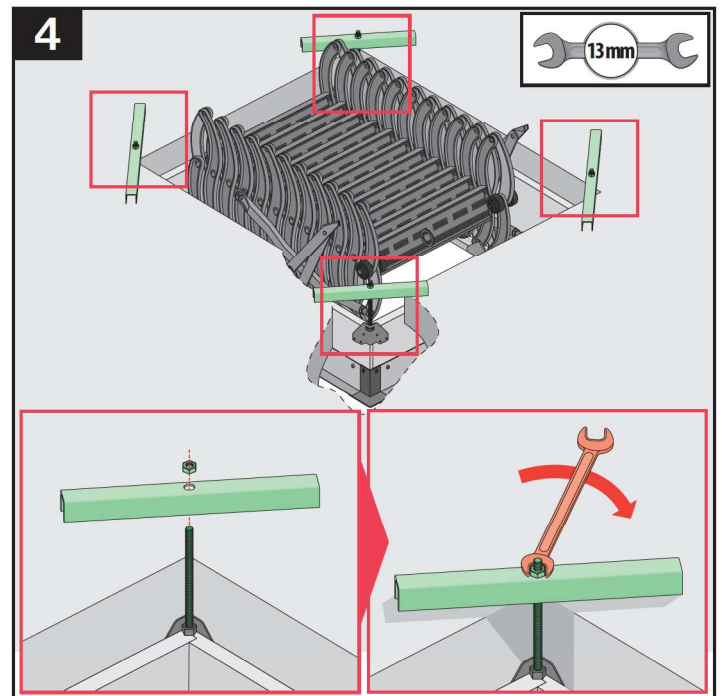
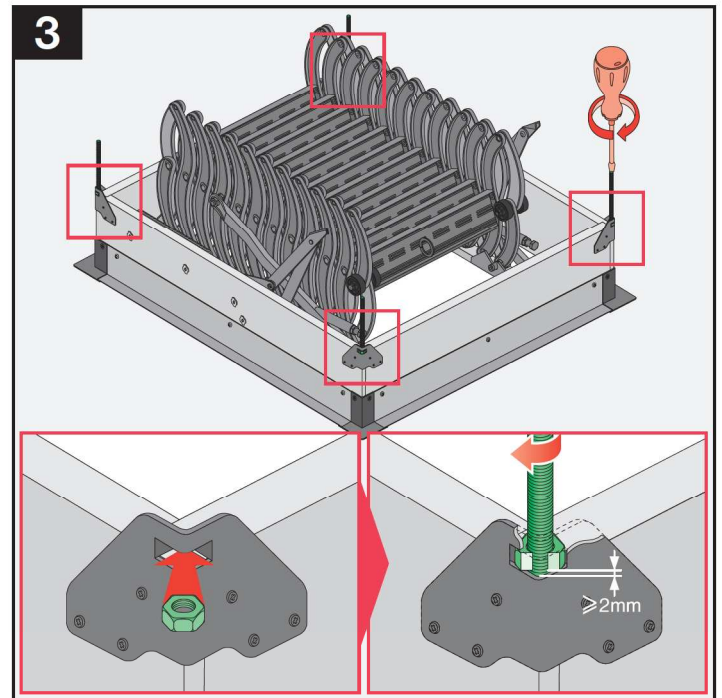
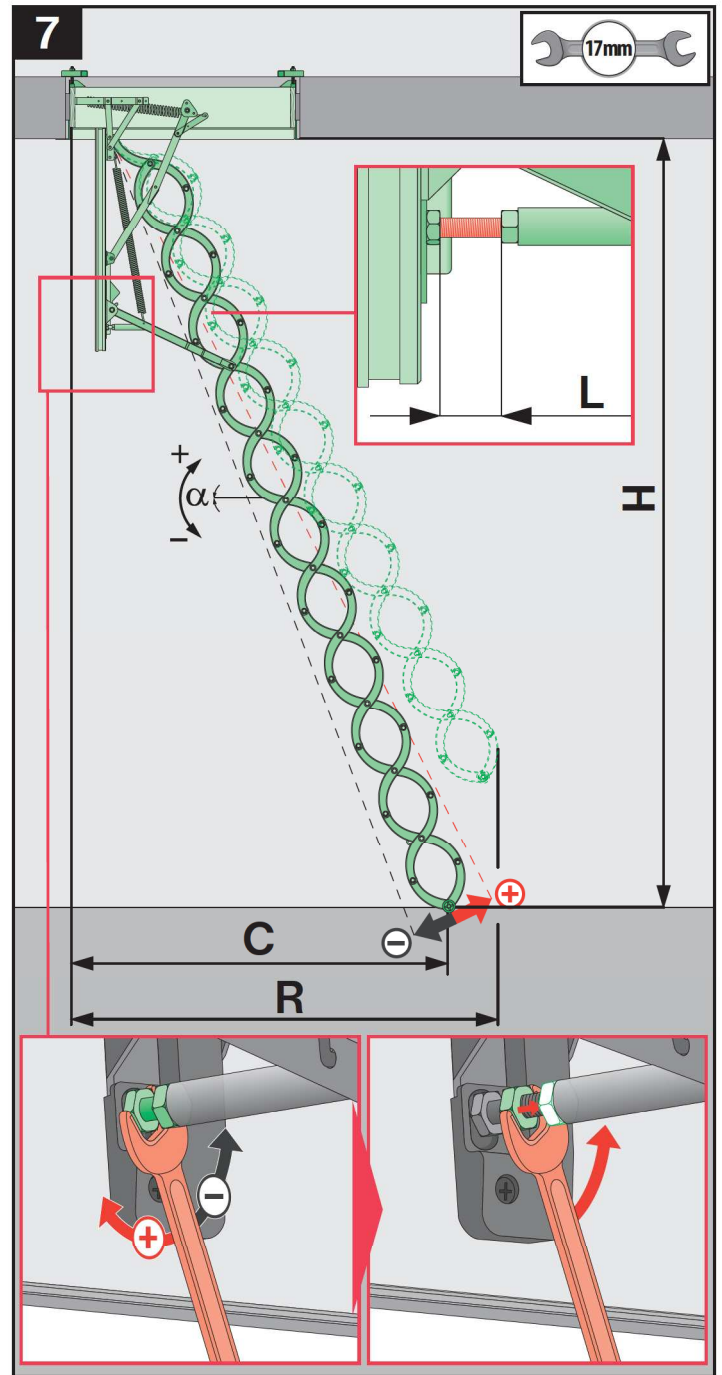
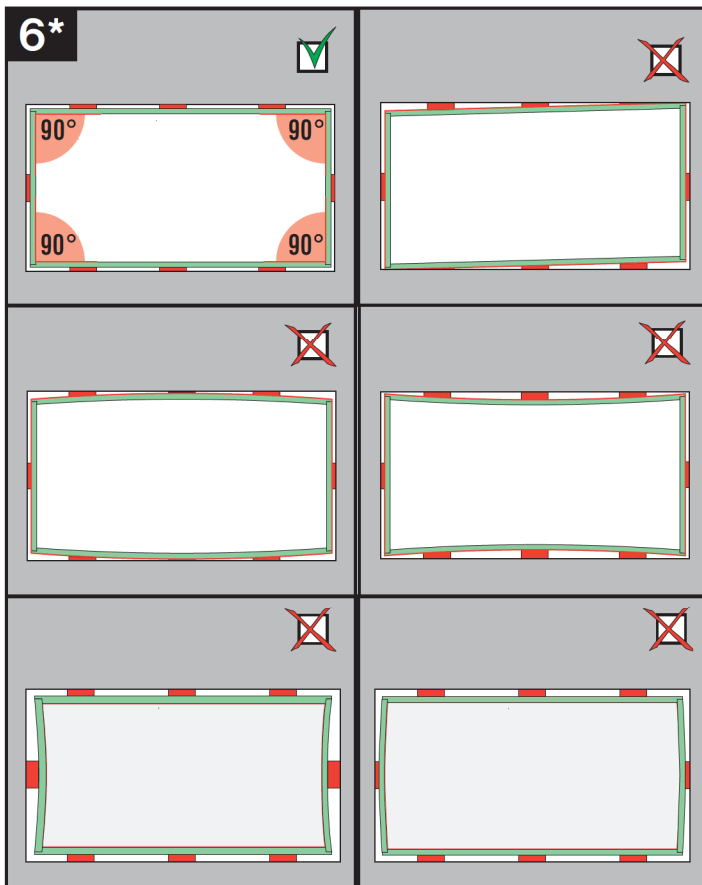
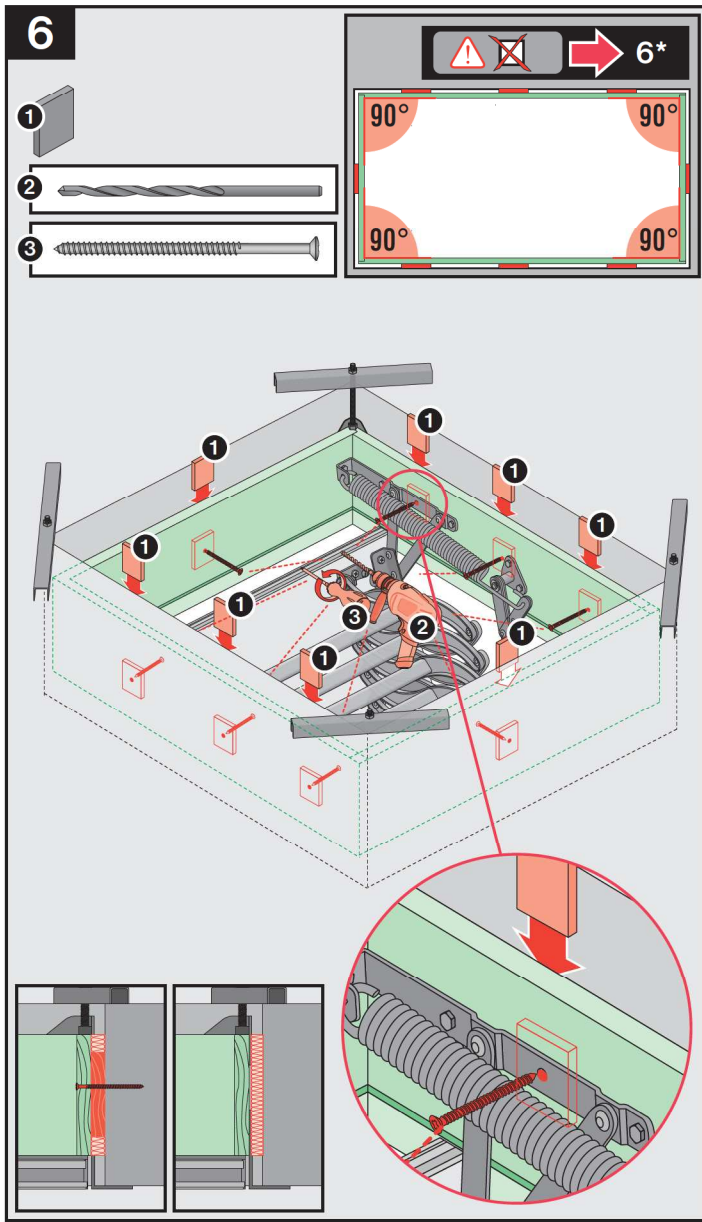


2



3



	$\times$	H	C	R	L	$\alpha$
		[cm/inch]	[cm/inch]	[cm/inch]	[cm/inch]	[°]
-	10	230 7' 6½"	135 4' 5½"	140 4' 7½"	2,5 1"	-5
	10	240 7' 10½"	131 4' 3½"	140 4' 7½"	2,2 7/8"	1
	10	250 8' 2¾"	127 4' 1¾"	140 4' 7½"	1,5 5/8"	3
	11	250 8' 2¾"	146 4' 9½"	150 4' 11"	3 1½"	-5
	11	260 8' 6¾"	142 4' 7¾"	150 4' 11"	2,2 7/8"	-2
	11	270 8' 10¼"	138 4' 6¾"	150 4' 11"	2 ¾"	1
	11	280 9' 2¼"	134 4' 4¾"	150 4' 11"	1,2 ½"	5
+	12	280 9' 2¼"	153 5' 1/8"	160 5' 3"	2,2 7/8"	-3
	12	290 9' 6¾"	150 4' 11"	160 5' 3"	2 ¾"	0
	12	300 9' 10½"	145 4' 9½"	160 5' 3"	1,5 5/8"	3,5
+	13	300 9' 10½"	163 5' 4"	170 5' 6¾"	2,5 1"	-4
	13	310 10' 2"	160 5' 3"	170 5' 6¾"	2,2 7/8"	-0,5
	13	320 10' 6"	156 5' 1¾"	170 5' 6¾"	1,5 ¾"	2,5
	13	330 10' 9¾"	150 4' 11"	170 5' 6¾"	1,2 ½"	5,5

7a

